

Dark Fibre

Do users know what they are getting?

-

FIA Guidance

Prepared and delivered for



Bisham Abbey, 4th December 2001
Hilton Airport Hotel, Edinburgh, 11th December 2001




AGENDA

- Introduction
- Dark Fibre
- Permanent Link Specification
- Channel Specification
- Data Records
- Close

Mike Gilmore

The Cabling Partnership
www.it-cabling.com
e-Ready Building
www.e-readybuilding.com
PO Box MT65, LEEDS, LS17 8YD, United Kingdom
Tel: +44 (0) 113 232 3721 Fax: +44 (0) 113 232 3724

Mike Gilmore

| | |
|---|--|
|  ISO/IEC JTC1 SC25 Secretary: WG3: Generic Cabling Member: Project Team: SOHO |  BSI Chairman TCT7/-/1: IT Cabling Chairman TCT7/-/3: IT Cabling |
|  CENELEC 50173 Ed.2 (2002) Convenor: TC215 WG1: IT Cabling | Fibreoptic Industry Association Standards Director Technical Director |



The Cabling Partnership e-Ready Building
Next Generation IT infrastructures

FIA Documentation Update

AGENDA

- Introduction
- Dark Fibre
- Permanent Link Specification
- Channel Specification
- Data Records
- Close

| DESIGN | | |
|------------------|--|-----------|
| FIA-TSD-2000-1-1 | OPTICAL FIBRE CABLING: LAN APPLICATION SUPPORT GUIDE | published |

| INSTALLATION | | |
|--------------------|--|--------------|
| FIA-TSD-2000-4-2-1 | TESTING OF INSTALLED CABLING: ATTENUATION USING LSPM EQUIPMENT | JANUARY 2002 |

| SAFETY | | |
|------------------|---|----------|
| FIA-TSD-2000-5-1 | OPTICAL POWER: SAFETY LEVELS | complete |
| FIA-TSD-2000-5-2 | OPTICAL FIBRE: HANDLING OF PROCESSING CHEMICALS | complete |
| FIA-TSD-2000-5-3 | OPTICAL FIBRE: DISPOSAL OF WASTE | complete |

| MODELLING TOOLS | | |
|-----------------|-------------------------------|----------|
| | CABLING STRUCTURES COST MODEL | complete |

© 2001 The Cabling Partnership

P. O. Box MT65, LEEDS, LS17 8YD, United Kingdom Tel: +44 (0) 113 232 3721 Fax: +44 (0) 113 232 3724

www.it-cabling.com www.e-readybuilding.com

The Cabling Partnership e-Ready Building
Next Generation IT infrastructures

FIA Documentation Update

AGENDA

- Introduction
- Dark Fibre
- Permanent Link Specification
- Channel Specification
- Data Records
- Close

| DESIGN | | |
|------------------|---|--------------|
| FIA-TSD-2000-1-1 | OPTICAL FIBRE CABLING: LAN APPLICATION SUPPORT GUIDE | published |
| FIA-TSD-2000-1-1 | Revision to include mode conditioning cords and 10GBASE-xyz | JANUARY 2002 |
| FIA-TSD-2000-1-3 | OPTICAL FIBRE CABLING: DARK FIBRE SUPPORT GUIDE | Q1, 2002 |

| INSTALLATION | | |
|--------------------|--|--------------|
| FIA-TSD-2000-4-2-1 | TESTING OF INSTALLED CABLING: ATTENUATION USING LSPM EQUIPMENT | JANUARY 2002 |
| FIA-TSD-2000-4-2-2 | TESTING OF INSTALLED CABLING: ATTENUATION USING OTDR EQUIPMENT | Q2, 2002 |

| SAFETY | | |
|------------------|---|----------|
| FIA-TSD-2000-5-1 | OPTICAL POWER: SAFETY LEVELS | complete |
| FIA-TSD-2000-5-2 | OPTICAL FIBRE: HANDLING OF PROCESSING CHEMICALS | complete |
| FIA-TSD-2000-5-3 | OPTICAL FIBRE: DISPOSAL OF WASTE | complete |

| MODELLING TOOLS | | |
|-----------------|-------------------------------|----------|
| | CABLING STRUCTURES COST MODEL | complete |

© 2001 The Cabling Partnership

P. O. Box MT65, LEEDS, LS17 8YD, United Kingdom Tel: +44 (0) 113 232 3721 Fax: +44 (0) 113 232 3724

www.it-cabling.com www.e-readybuilding.com

AGENDA

- Introduction
- Dark Fibre
- Permanent Link Specification
- Channel Specification
- Data Records
- Close

FIA Documentation Update

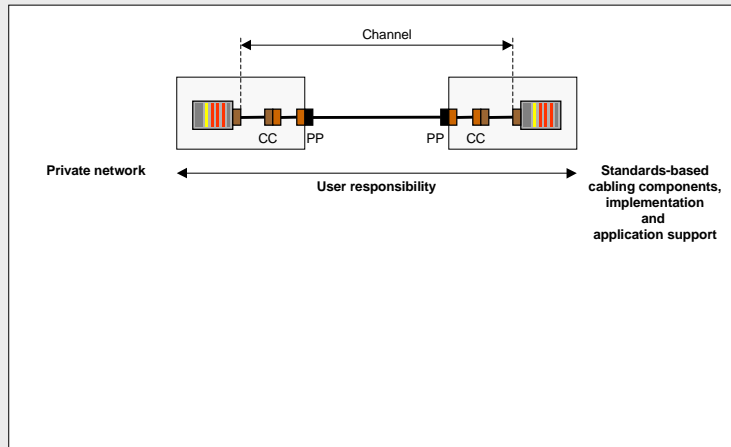
| DESIGN | | |
|-------------------------------|--|--------------|
| FIA-TSD-2000-1-1 | OPTICAL FIBRE CABLING: LAN APPLICATION SUPPORT GUIDE | published |
| FIA-TSD-2000-1-1 | Revision to include mode conditioning cords and 10GBASE-xyz | JANUARY 2002 |
| FIA-TSD-2000-1-3 | OPTICAL FIBRE CABLING: DARK FIBRE SUPPORT GUIDE | Q1, 2002 |
| INSTALLATION | | |
| FIA-TSD-2000-4-2-1 | TESTING OF INSTALLED CABLING: ATTENUATION USING LSPM EQUIPMENT | JANUARY 2002 |
| FIA-TSD-2000-4-2-2 | TESTING OF INSTALLED CABLING: ATTENUATION USING OTDR EQUIPMENT | Q2, 2002 |
| SAFETY | | |
| FIA-TSD-2000-5-1 | OPTICAL POWER: SAFETY LEVELS | complete |
| FIA-TSD-2000-5-2 | OPTICAL FIBRE: HANDLING OF PROCESSING CHEMICALS | complete |
| FIA-TSD-2000-5-3 | OPTICAL FIBRE: DISPOSAL OF WASTE | complete |
| MODELLING TOOLS | | |
| CABLING STRUCTURES COST MODEL | | complete |



AGENDA

- Introduction
- Dark Fibre
- Permanent Link Specification
- Channel Specification
- Data Records
- Close

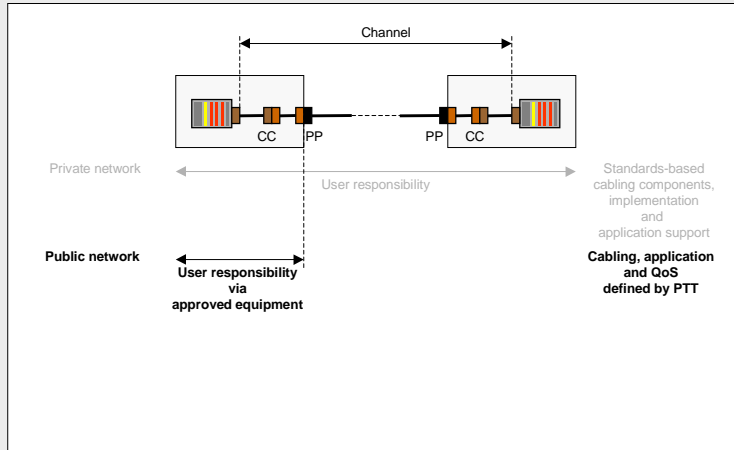
Dark Fibre- I



AGENDA

- Introduction
- Dark Fibre
- Permanent Link Specification
- Channel Specification
- Data Records
- Close

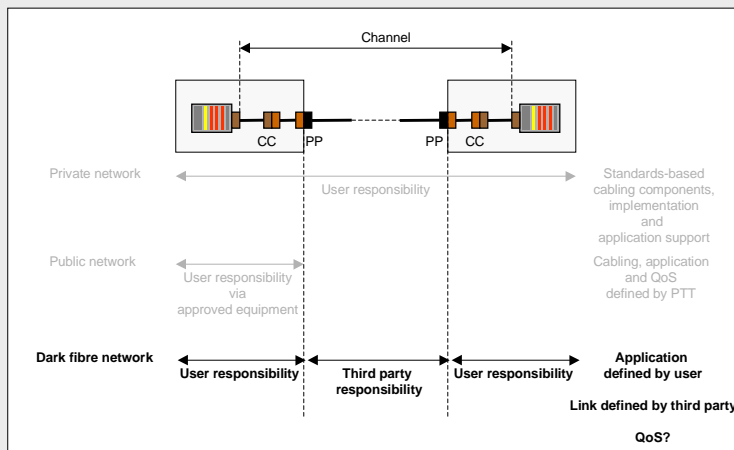
Dark Fibre- II



AGENDA

- Introduction
- Dark Fibre
- Permanent Link Specification
- Channel Specification
- Data Records
- Close

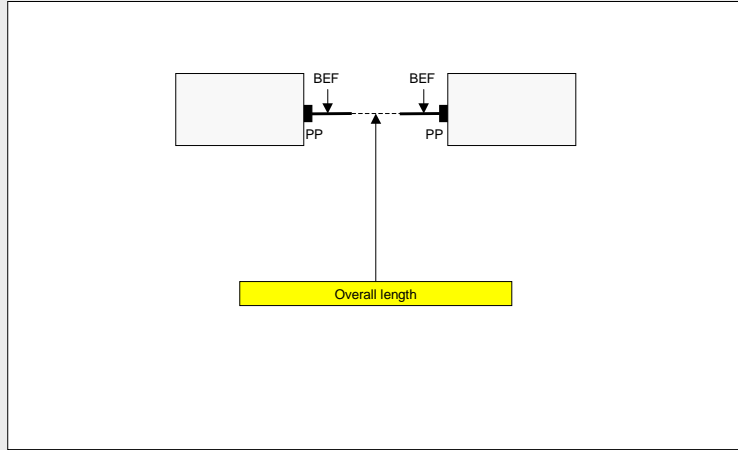
Dark Fibre- III



AGENDA

- Introduction
- Dark Fibre
- Permanent Link Specification
- Channel Specification
- Data Records
- Close

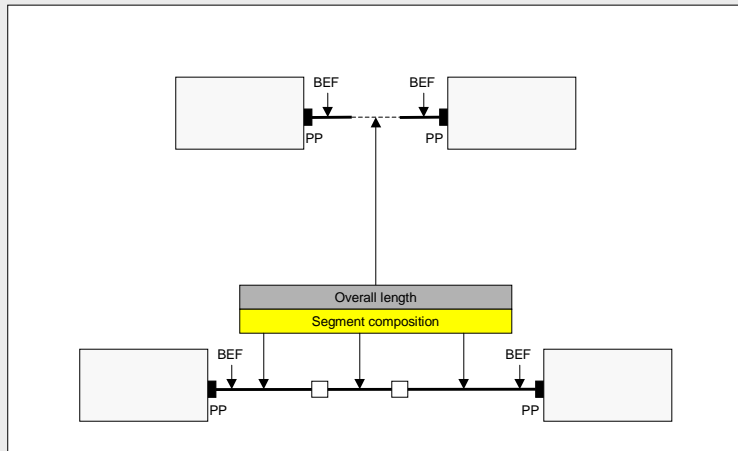
Permanent Link Specification



AGENDA

- Introduction
- Dark Fibre
- Permanent Link Specification
- Channel Specification
- Data Records
- Close

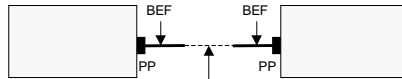
Permanent Link Specification



AGENDA

- Introduction
- Dark Fibre
- Permanent Link Specification
- Channel Specification
- Data Records
- Close

Permanent Link Specification



| |
|---------------------|
| Overall length |
| Segment composition |
| For each segment |
| Length |



AGENDA

- Introduction
- Dark Fibre
- Permanent Link Specification
- Channel Specification
- Data Records
- Close

Permanent Link Specification



| MMF | | |
|------------------------------|-----|------|
| | 850 | 1300 |
| Modal bandwidth: OFL (MHzkm) | ? | ? |
| Modal bandwidth: RL (MHzkm) | ? | ? |

| SMF | |
|----------------------|--------------------------|
| Detail specification | G.652, G.653, G.655 etc. |

| |
|--------------------------------|
| Overall length |
| Segment composition |
| For each segment |
| Length |
| Type of optical fibre: SMF/MMF |
| Specification of optical fibre |

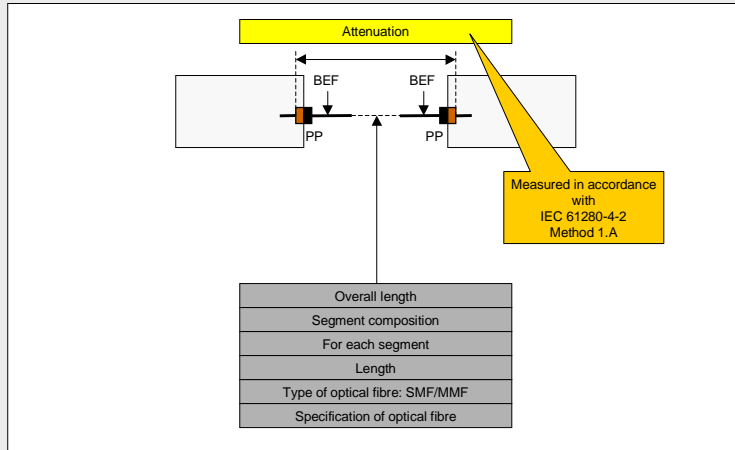


AGENDA

- Introduction
- Dark Fibre
- Permanent Link Specification
- Channel Specification
- Data Records
- Close



Permanent Link Specification

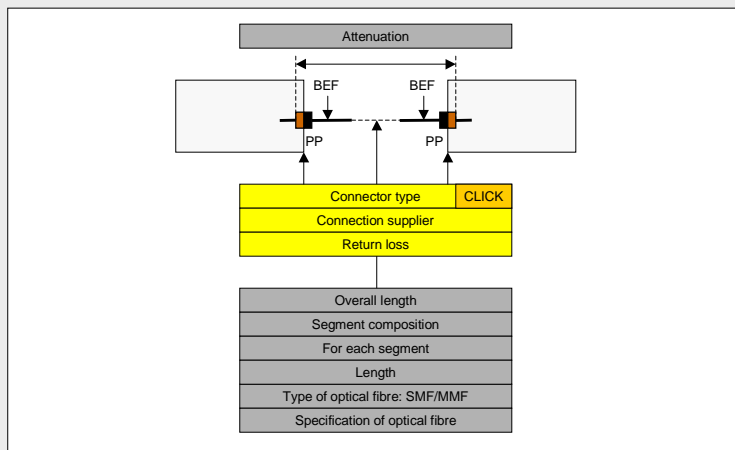


AGENDA

- Introduction
- Dark Fibre
- Permanent Link Specification
- Channel Specification
- Data Records
- Close



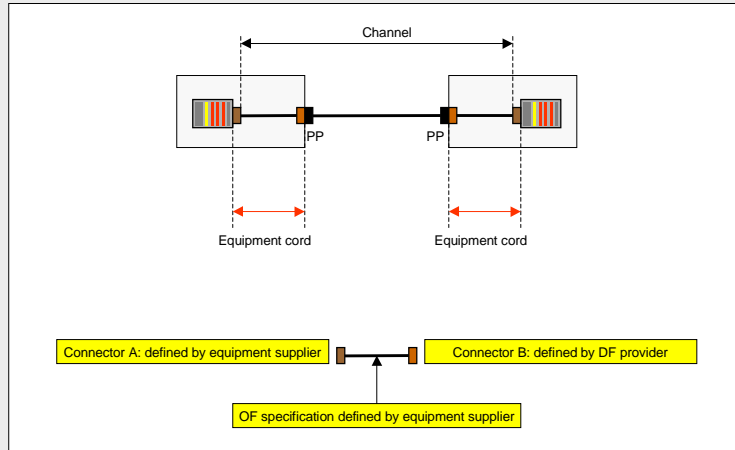
Permanent Link Specification



AGENDA

- Introduction
- Dark Fibre
- Permanent Link Specification
- Channel Specification
- Data Records
- Close

Channel Specification



AGENDA

- Introduction
- Dark Fibre
- Permanent Link Specification
- Channel Specification
- Data Records
- Close

Data Records

